

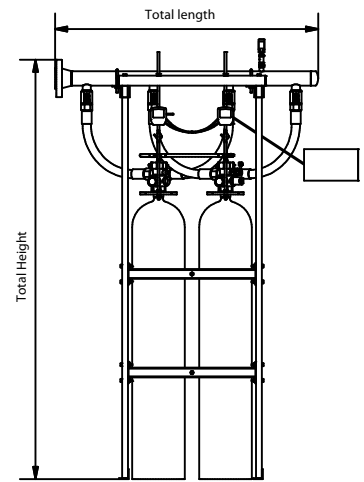
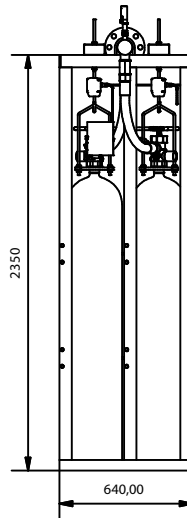
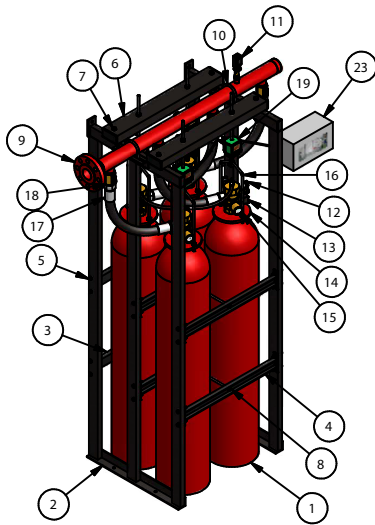


BATTERIES OF CYLINDERS OF 80L WITH CONTINUOUS WEIGHING (DOUBLE ROW)

AEX/SBPX80FMD

Specifications						
Reference	Nº of cylinders	Max. load	Total length (mm)	Total Height (mm)	Manifold outlet*	Manifold reference
AEX/SBP380FMD	3	276 Kg	1582	2500	Flange 3"	CF3D3I080
AEX/SBP480FMD	4	368 Kg	1582	2500	Flange 3"	CF3D4I080
AEX/SBP580FMD	5	460 Kg	1956	2546	Flange 4"	CF4D5I080
AEX/SBP680FMD	6	552 Kg	1956	2546	Flange 4"	CF4D6I080
AEX/SBP780FMD	7	644 Kg	2296	2546	Flange 4"	CF4D7I080
AEX/SBP880FMD	8	736 Kg	2322	2591	Flange 5"	CF5D8I080
AEX/SBP980FMD	9	828 Kg	2662	2591	Flange 5"	CF5D9I080
AEX/SBP1080FMD	10	920 Kg	2662	2591	Flange 5"	CF5D10I080
AEX/SBP1180FMD	11	1012 Kg	3008	2620	Flange 6"	CF6D11I080
AEX/SBP1280FMD	12	1104 Kg	3008	2620	Flange 6"	CF6D12I080
AEX/SBP1380FMD	13	1196 Kg	3348	2620	Flange 6"	CF6D13I080
AEX/SBP1480FMD	14	1288 Kg	3348	2620	Flange 6"	CF6D14I080
AEX/SBP1580FMD	15	1380 Kg	3688	2620	Flange 6"	CF6D15I080
AEX/SBP1680FMD	16	1472 Kg	3717	2591	2 Flanges 5"	CF6D16B080
AEX/SBP1780FMD	17	1564 Kg	4057	2591	2 Flanges 5"	CF6D17B080
AEX/SBP1880FMD	18	1656 Kg	4057	2591	2 Flanges 5"	CF6D18B080
AEX/SBP1980FMD	19	1748 Kg	4397	2591	2 Flanges 5"	CF6D19B080
AEX/SBP2080FMD	20	1840 Kg	4397	2591	2 Flanges 5"	CF6D20B080

* The manifold diameter may vary depending on hydraulic calculations of each installation.



Parts list		Parts list	
Part Number	Reference and Description	Part Number	Reference and Description
1	BFE80 - Cilindre 80 L	11	AEX/CP1 - Pass contactor (optional)
2	HP-2350DP - Support feet double row with cont. weighing	12	AEX/PM160A - Hand lever
3	HTPP(x) - Preceding crossbar for(x) cilindres	13	AEX/VS24 - Solenoid
4	HTPA(x) - Rear crossbar for (x) cilindres	14	BRR212 - Flange 2 1/2" for cylindre
5	TO8M55 - Screws, nuts and washers M8	15	AEX/M80 - Manometer
6	HS(x) - Suspension support (x) cilindres	16	BPAS1 - Suspension arc
7	TO10M125 - Screws, nuts and washers M10	17	L112N - Discharge hose 1 1/2"
8	HVSD - Rod for batterie double row with cont. weighing	18	AEX/VAR112 - Check valve 1 1/2"
9	SEE TABLE - Manifold	19	AEX/CPC3 - Continuous weighing control
10	HA(x) - U-bolt (x) inches		



Av. Alfonso Peña Boeuf, 6 y 9
 28022 MADRID - ESPAÑA
 TEL: +34 913121656
 FAX: +34 913295820

DATA SHEET

BATTERIES OF CYLINDERS OF 80 L WITH CONTINUOUS WEIGHING (DOUBLE ROW)

Description: Complete Cylinder Battery, including manual & electric actuator, pressure gauge, hoses and manifold

Code sheet:	Group sheet:	Reference:	Drawn:	Date:	Revised:	Date:	Review:	Format:
AEX-FTC-04-019	HFC 227 ea	VER TABLA	DCM	12/12/2018	ENC	2/12/2018	1	A4

Note: Aguilera Extinción S.L. Reserves the right to modify any of the characteristics stated in this document without notice.